

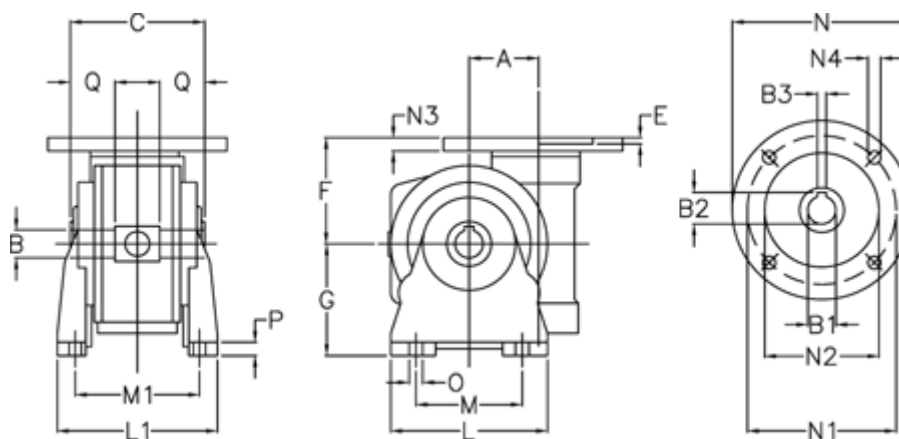
Data Sheet



Article number: 3902044007322

Description: Worm gear
VF 44-V-7-63B5

Measures



| | | | | | |
|-------|---------|----|-------|----|--------|
| A | = 44.6 | G | = 72 | N3 | = 10.5 |
| B | = 18 H7 | L | = 90 | N4 | = 9.5 |
| B1 E7 | = 11 | L1 | = 98 | O | = 8.5 |
| B2 | = 12.8 | M | = 52 | P | = 10 |
| B3 H9 | = 4 | M1 | = 81 | Q | = 24.5 |
| C | = 64 | N | = 140 | | |
| E | = 2 | N1 | = 115 | | |
| F | = 65 | N2 | = 95 | | |